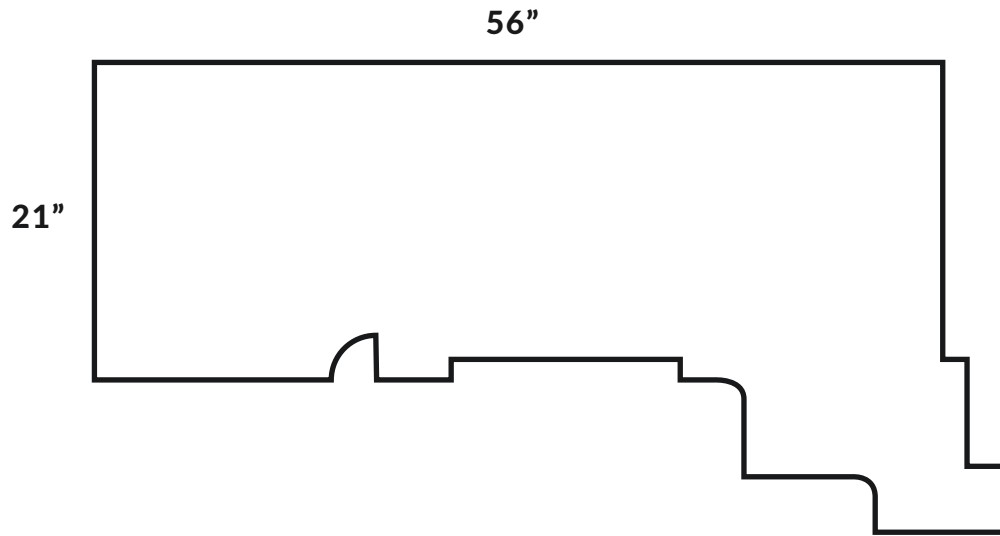


# Hotel Zoe

FISHERMAN'S WHARF

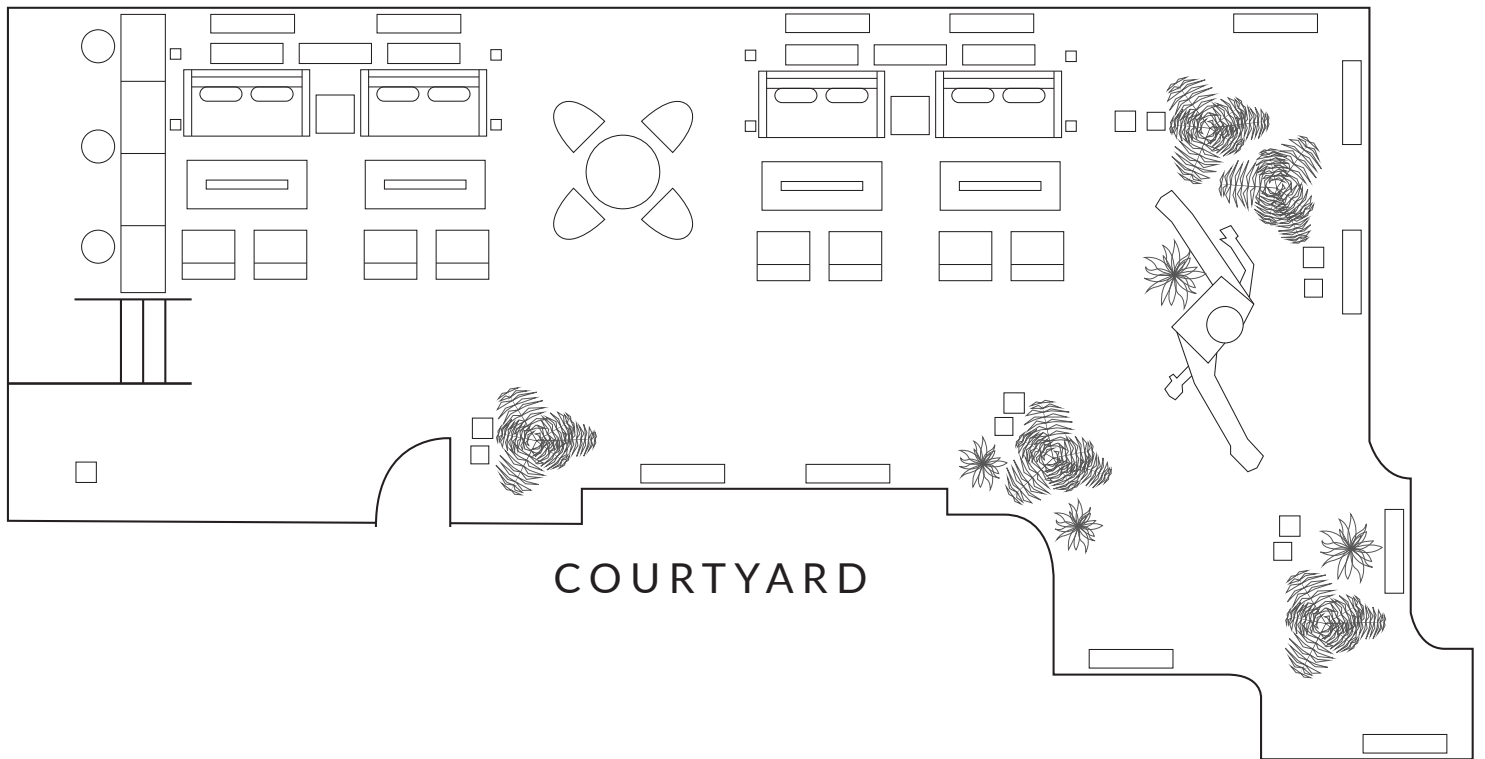
## COURTYARD



	SQ. FT.	CEILING	SIZE	U-SHAPE	BANQUET	COCKTAIL	MAX CAP	THEATER	CLASS	BOARD
COURTYARD	1176	-	56 X 21	-	-	-	80	-	-	-

# Hotel Zoe

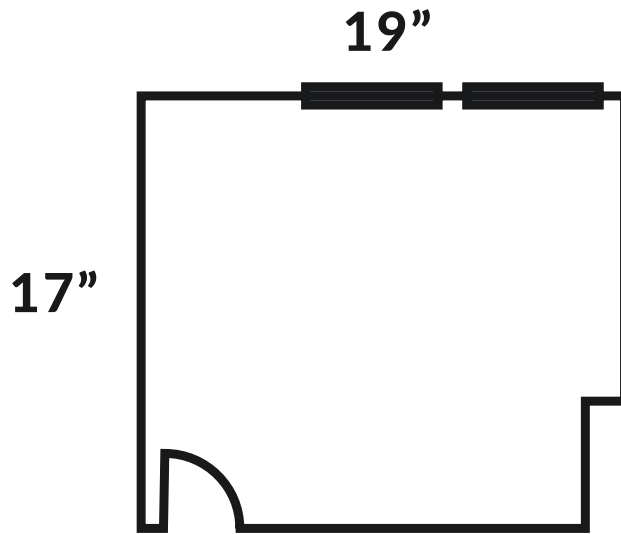
FISHERMAN'S WHARF



# Hotel Zoe

FISHERMAN'S WHARF

## BELVEDERE

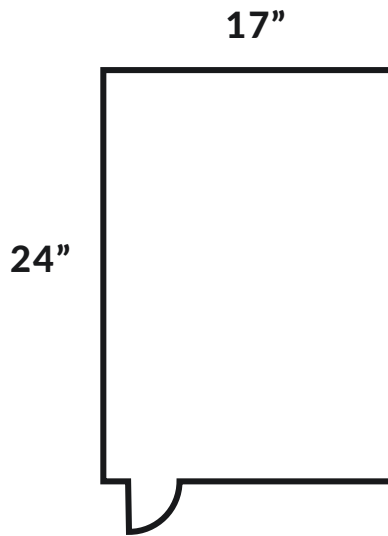


	SQ. FT.	CEILING	SIZE	U-SHAPE	BANQUET	COCKTAIL	MAX CAP	THEATER	CLASS	BOARD
BELVEDERE	311	8	17 X 19	12	30	30	30	30	12	12

# Hotel Zoe

FISHERMAN'S WHARF

## FARALLON

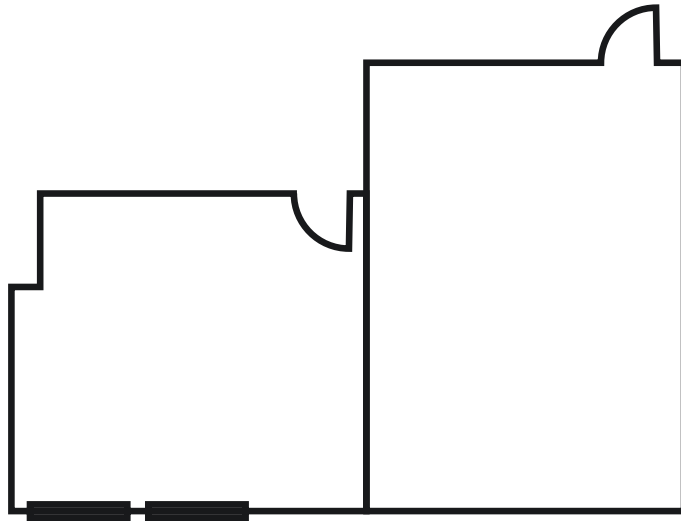


	SQ. FT.	CEILING	SIZE	U-SHAPE	BANQUET	COCKTAIL	MAX CAP	THEATER	CLASS	BOARD
FARALLON	437	8	17 X 24	14	40	40	40	40	24	16

# Hotel Zoe

FISHERMAN'S WHARF

## FARALLON - BELVEDERE

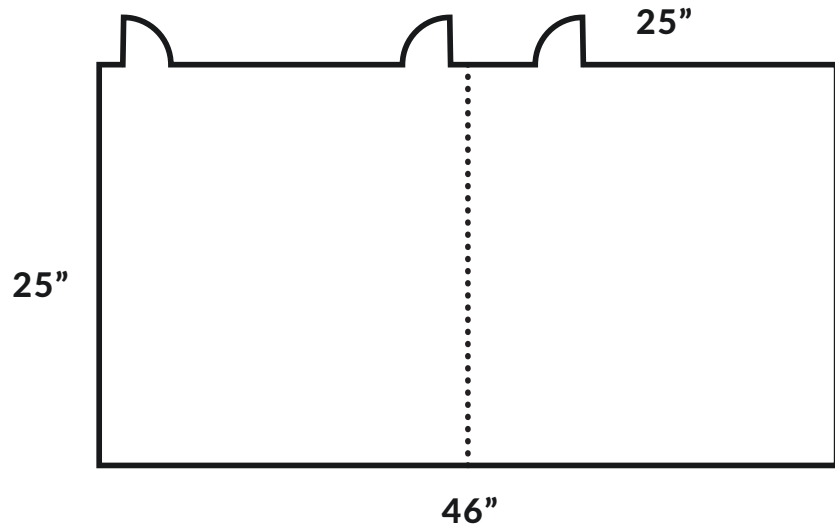


	SQ. FT.	CEILING	SIZE	U-SHAPE	BANQUET	COCKTAIL	MAX CAP	THEATER	CLASS	BOARD
FARALLON-BELVEDERE	748	8	17 X 43	18	70	70	70	70	36	20

# Hotel Zoe

FISHERMAN'S WHARF

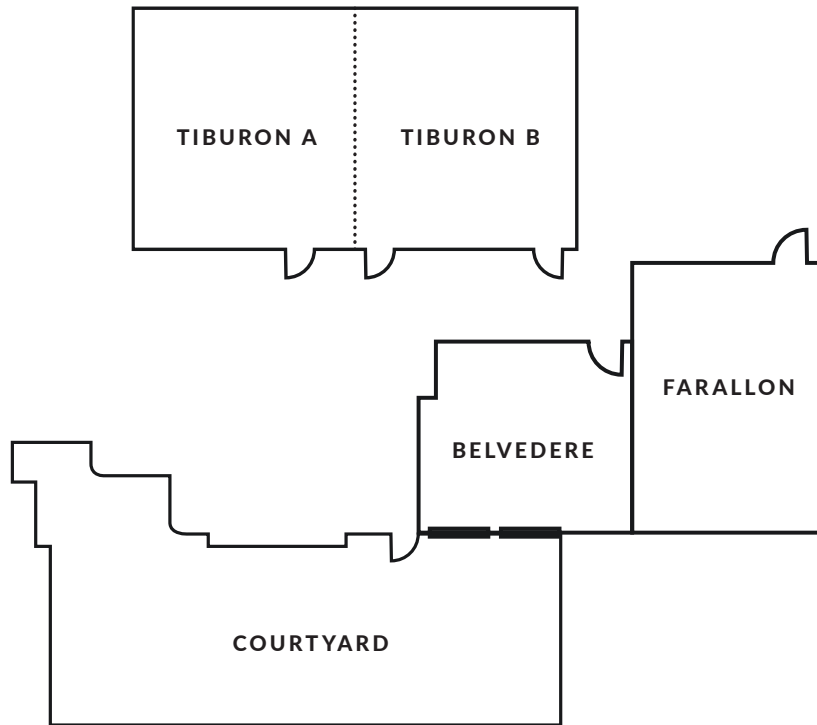
## TIBURON



	SQ. FT.	CEILING	SIZE	U-SHAPE	BANQUET	COCKTAIL	MAX CAP	THEATER	CLASS	BOARD
TIBURON	1180	8	46 X 25	40	80	80	80	80	48	40
TIBURON A	590	8	23 X 25	20	40	40	40	40	24	20
TIBURON B	590	8	23 X 25	20	40	40	40	40	24	20

# Hotel Zoe

FISHERMAN'S WHARF



	SQ. FT.	CEILING	SIZE	U-SHAPE	BANQUET	COCKTAIL	MAX CAP	THEATER	CLASS	BOARD
COURTYARD	1176	-	56 X 21	-	-	-	80	-	-	-
FARALLON-BELVEDERE	748	8	17 X 43	18	70	70	70	70	36	20
FARALLON	427	8	17 X 24	40	40	40	40	40	24	16
BELVEDERE	311	8	17 X 19	12	30	30	30	30	12	12
TIBURON	1180	8	46 X 25	40	80	80	80	80	48	40
TIBURON A	590	8	23 X 25	20	40	40	40	40	24	20
TIBURON B	590	8	23 X 25	20	40	40	40	40	24	20
PESCATORE PRIVATE DINING ROOM	250	-	17 X 14	15	24	30	-	40	18	14